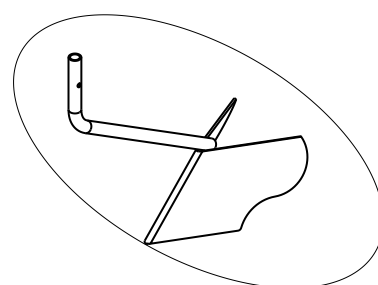
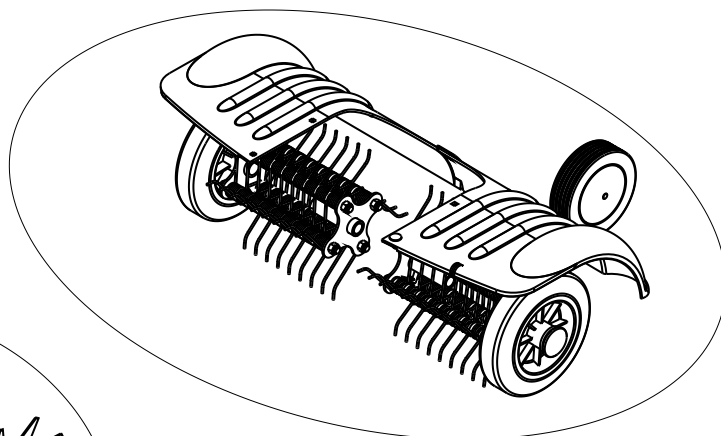


| REP N° | Qté / Qty | Ref.     | Ref.     | Désignation                          | Description                   |
|--------|-----------|----------|----------|--------------------------------------|-------------------------------|
| 1      | 1         | 19002500 |          | Transmission                         | Transmission                  |
| 2      | 1         | 14342e   |          | Adaptateur pont/moteur               | Adapter axel/motor            |
| 3      | 4         | 11052    |          | Vis CHc M 6x20 Z                     | Screw CHc M 6x20              |
| 4      | 4         | 10795    |          | Vis HM 6x65 Z                        | Screw HM 6x65 Z               |
| 5      | 1         | 19002106 |          | Guidon bas noir                      | Black bottom handlebar        |
|        |           | 19003106 |          | Guidon bas bleu                      | Blue bottom handlebar         |
| 6      | 1         | 23002b   |          | Tableau de bord rouge (option)       | Red control panel (option)    |
|        |           | 23004b   |          | Tableau de bord gris (option)        | Grey control panel (option)   |
|        |           | 23005    |          | Tableau de bord vert (option)        | Green control panel (option)  |
|        |           | 23051    |          | Tableau de bord orange P165 (option) | Orange control panel (option) |
| 7      | 2         |          | 19001022 | Vis HM 8x20 Z emb cr                 | Screw HM 8x20 Z Emb cr        |
| 8      | 1         | 19001108 |          | Guidon haut noir                     | Black Top handlebar           |
|        |           | 19003108 |          | Guidon haut bleu                     | Blue Top handlebar            |
| 9      | 2         | 19001103 |          | Guidon intermédiaire noir            | Black intermediate handlebar  |
|        |           | 19003103 |          | Guidon intermédiaire Bleu            | Blue intermediate handlebar   |
| 10     | 1         | 13210    |          | Switch arrêt avec faisceau           | Stop switch with loom         |
| 11     | 3         | 12151    |          | Poignée PVC souple Ø22               | Soft rubber grip Ø22          |
| 12     | 1         | 23012b   |          | Protecteur rouge                     | Red guard                     |
|        |           | 23014b   |          | Protecteur bleu                      | Blue guard                    |
|        |           | 23015b   |          | Protecteur gris                      | Grey guard                    |
|        |           | 23016    |          | Protecteur vert                      | Green guard                   |
|        |           | 23050    |          | Protecteur Orange P165               | Orange guard                  |
| 13     | 1         | 19002120 |          | Fraise 4 ctx Droite                  | Rotating blade right          |
| 14     | 1         | 19002121 |          | Fraise 4 ctx Gauche                  | Rotating blade left           |
| 15     | 3         |          | 19001022 | Goupille 6x38 Z                      | Pin 6x38 Z                    |
| 16     | 3         |          | 19001022 | Goupille Bêta 2                      | Clip pin Bêta 2               |
| 17     | 4         |          | 19001022 | Support câble guidon noir            | Cable handlebar fixing block  |
| 18     | 4         |          | 19001022 | Ecrou papillon guidon noir           | Handlebar tightening handle   |
| 19     | 4         |          | 19001022 | Vis HM 8x50 Z                        | Screw HM 8x50 Z               |
| 20     | 1         | 19002104 |          | Béquille noir                        | Black spur                    |
| 21     | 4         | 11482    |          | Ecrou frein M 6 Z                    | Blocking nut M 6 Z            |
| 22     | 1         | 11138    |          | Vis Tensil TH crant 5x10 bic         | Tensil screw TH 5x10 bic      |
| 23     | 2         | 13914    |          | Embout rond noir Ø22                 | Black plug Ø22                |
| 24     | 1         | 13827    |          | Câble gaz + Manette                  | Throttle cable + lever        |
| 25     | 1         |          | 19001022 | Vis pozi M 5x30 Z                    | Pozidrive screw M 5x30 Z      |
| 26     | 1         |          | 19001022 | Rondelle M 3.2x10x1 Z                | Washer M 3.2x10x1 Z           |
| 27     | 1         |          | 19001022 | Rondelle M 5x12x1 Z                  | Washer M 5x12x1 Z             |
| 29     | 1         | 21269    |          | Etiqu. "Marche arrêt"                | Label "engine cut off"        |
| 30     | 1         | 62831a   |          | Etiqu. "Embrayage"                   | Label "clutch lever"          |
| 31     | 1         | 21240    |          | Etiqu. "sécurité"                    | Safety label                  |
| 32     | 1         | 16052    |          | Entretoise régime GX31-4T            | GX31 Spacer                   |
| 33     | 4         | 11614    |          | Rondelle M6x14x1 Z                   | Washer M6x14x1 Z              |
| 34     | 1         | 19001022 |          | Pochette visserie                    | Bag of screws                 |
| 35     | 1         | 12230    |          | Bidon d'huile moteur 0.1L            | Engine oil 0.1L               |

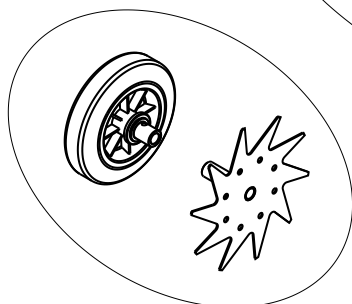
# Pièces de rechange Spare parts list

## ACCESSOIRES

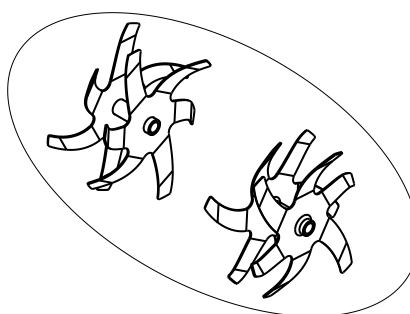
EMOUSSEUR  
LAWN DETHATCHER



BUTTAGE  
RIDGING

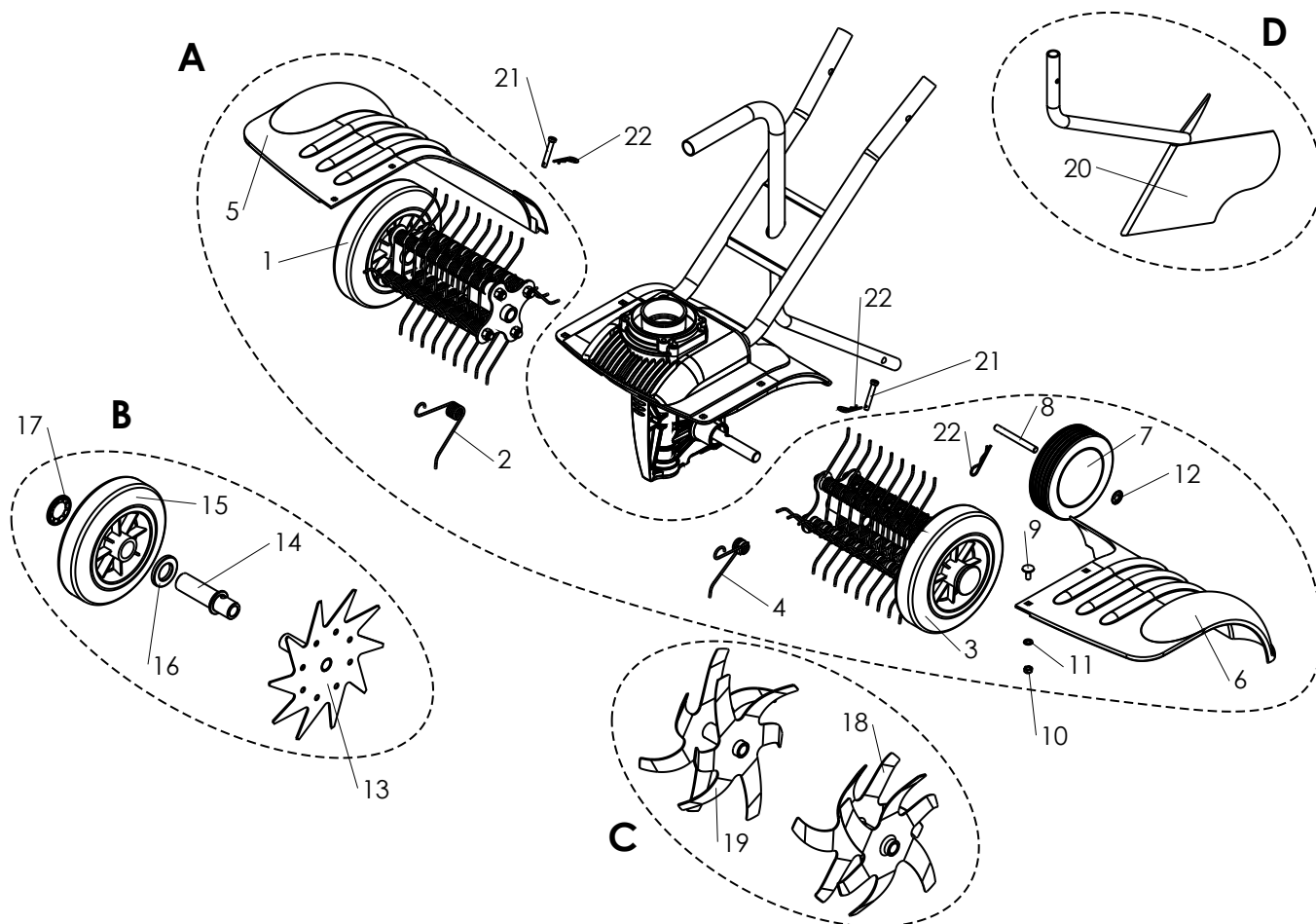


COUPE BORDURE  
BORDER EDGER



SARCLAGE  
WEEDING

MICROBINEUSE  
MICROTILLER



| Rep N° | Ref.       | Designation                                      | Description                          | Qte |
|--------|------------|--|--------------------------------------|-----|
| 1      | 0320030001 | Emousseur Droit Microbineuse                     | Right dethatcher                     | 1   |
| 2      | 0002060004 | Pochette ressort droit Emousseur Micro (Qté.10)  | Right spring box dethatcher (Qty.10) | 1   |
| 3      | 0320030002 | Emousseur gauche Microbineuse                    | Left dethatcher                      | 1   |
| 4      | 0002060003 | Pochette ressort gauche Emousseur Micro (Qté.10) | Left spring box dethatcher (Qty.10)  | 1   |
| 5      | 0340070009 | Protection addit droite rouge                    | Right red guard                      | 1   |
| 6      | 0340070010 | Protection addit gauche rouge                    | Left red guard                       | 1   |
| 7      | 0309000010 | Roue Ø130 ales 8 Noir                            | Transport wheel Ø130                 | 1   |
| 8      | 0302010032 | Axe roue de transport                            | Axle of travelling wheel             | 1   |
| 9      | 0300080608 | Vis TRCC M6x16 Z                                 | Screw TBCC M6x16 Z                   | 7   |
| 10     | 0300210602 | Ecrou frein M 6 Z                                | Blocking nut M 6 Z                   | 7   |
| 11     | 0300400603 | Rondelle M 6x12x1.2 Z                            | Washer M 6x12x1.2 Z                  | 7   |
| 12     | 0300460801 | Rondelle Starlock Ø8                             | Starlock washer Ø8                   | 1   |
| 13     | 8002070303 | Outil coupe bordure noir                         | Black edger tool                     | 1   |
| 14     | 0302030012 | Moyeu roue coupe bordure                         | Wheel hub                            | 1   |
| 15     | 0309000012 | Roue noir Ø180 Ales.25                           | Black wheel Ø180 Ales.25             | 1   |
| 16     | 0300402501 | Rondelle 25x45x4z                                | Washer 25x45x4z                      | 1   |
| 17     | 0300462501 | Rondelle starlock Ø25                            | Starlock washer Ø25                  | 1   |
| 18     | 8002070304 | Fraises 6 dts droite                             | Right cultivating tines              | 1   |
| 19     | 8002070305 | Fraises 6 dts gauche                             | Left cultivating tines               | 1   |
| 20     | 0320040002 | Butteur microbineuse                             | Ridger                               | 1   |
| 21     | 0302010039 | Goupille 6x38 Z                                  | Pin 6x38 Z                           | 2   |
| 22     | 0301030001 | Goupille Béta 2 Z                                | Clip pin beta 2 Z                    | 3   |